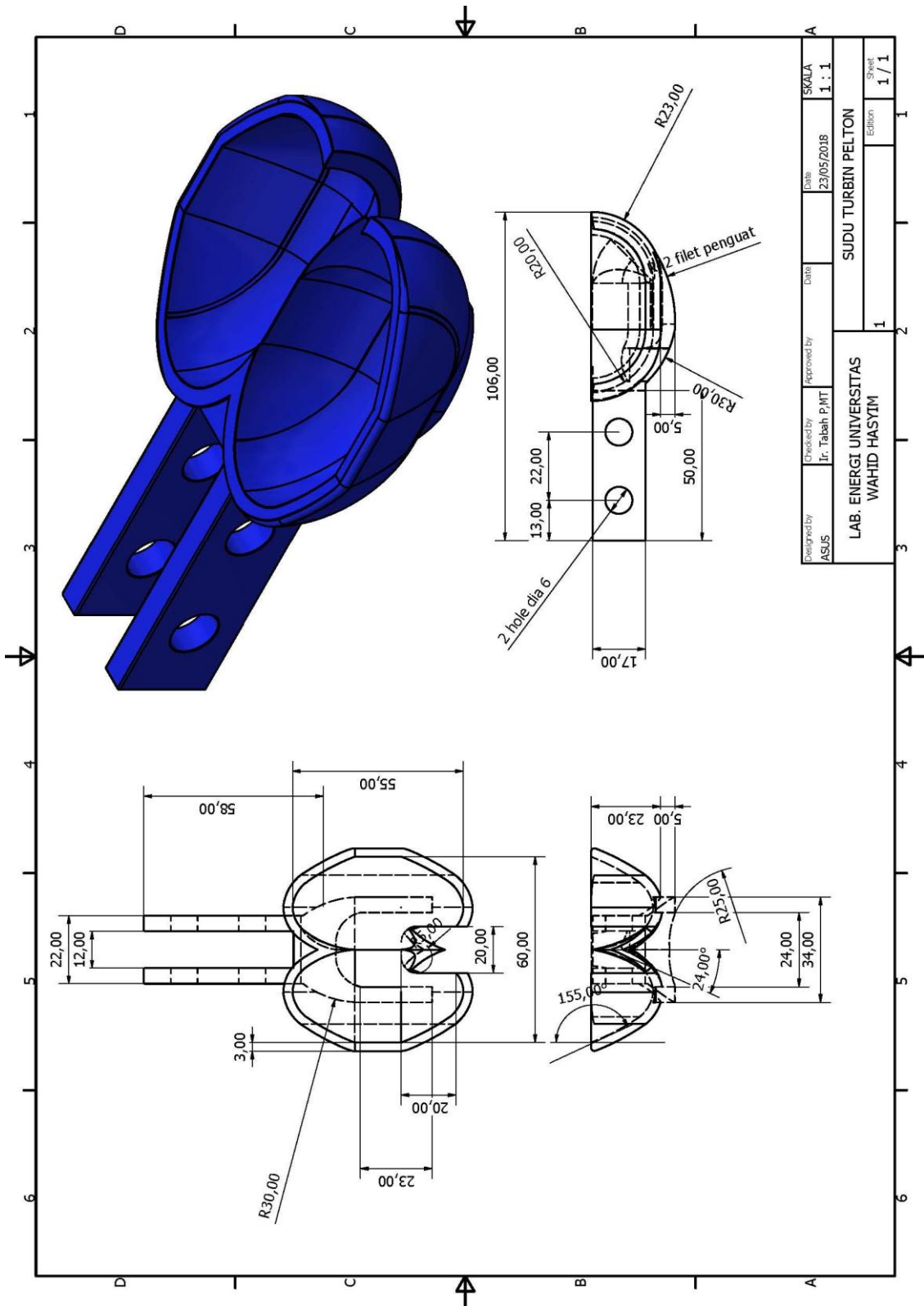
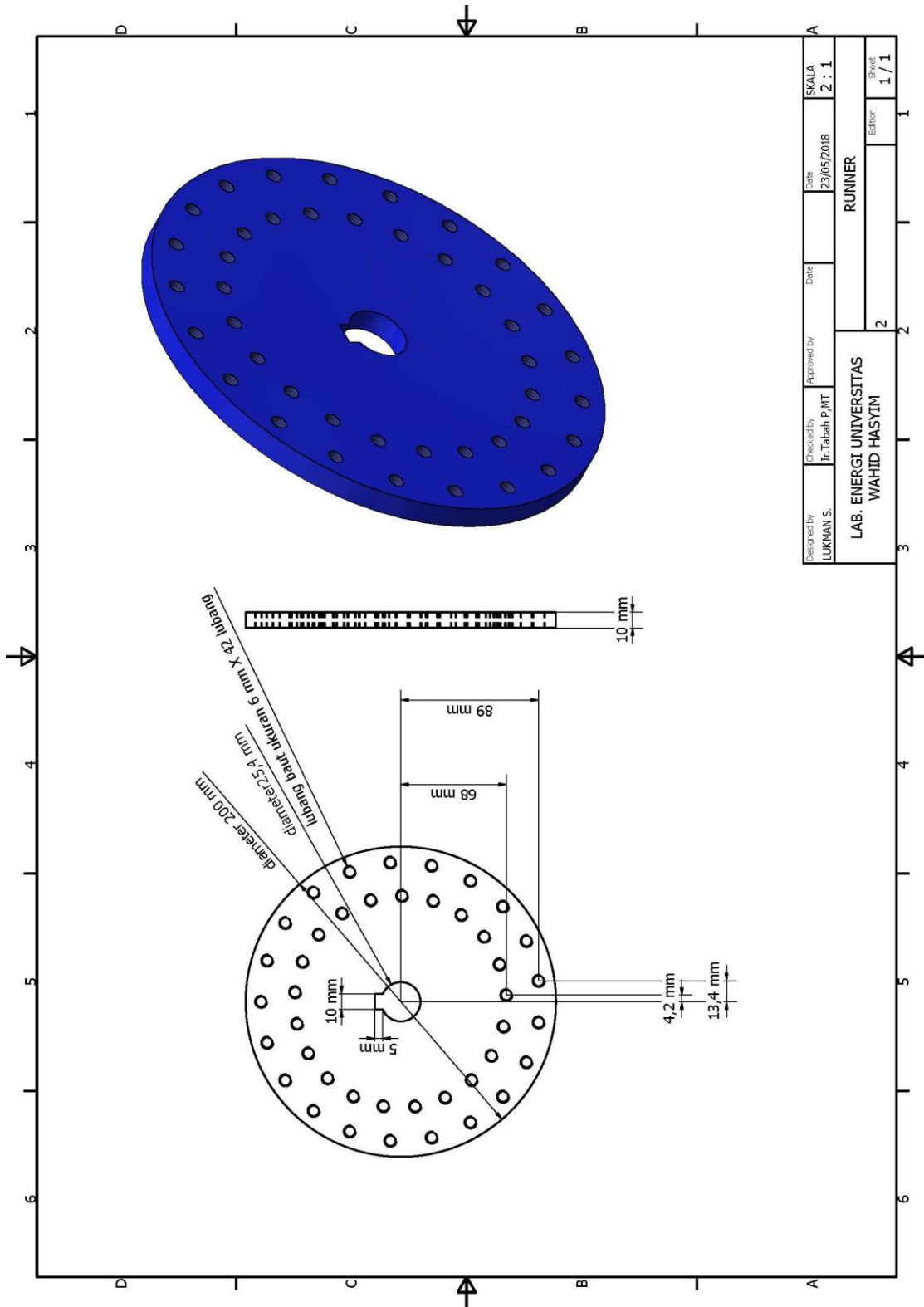
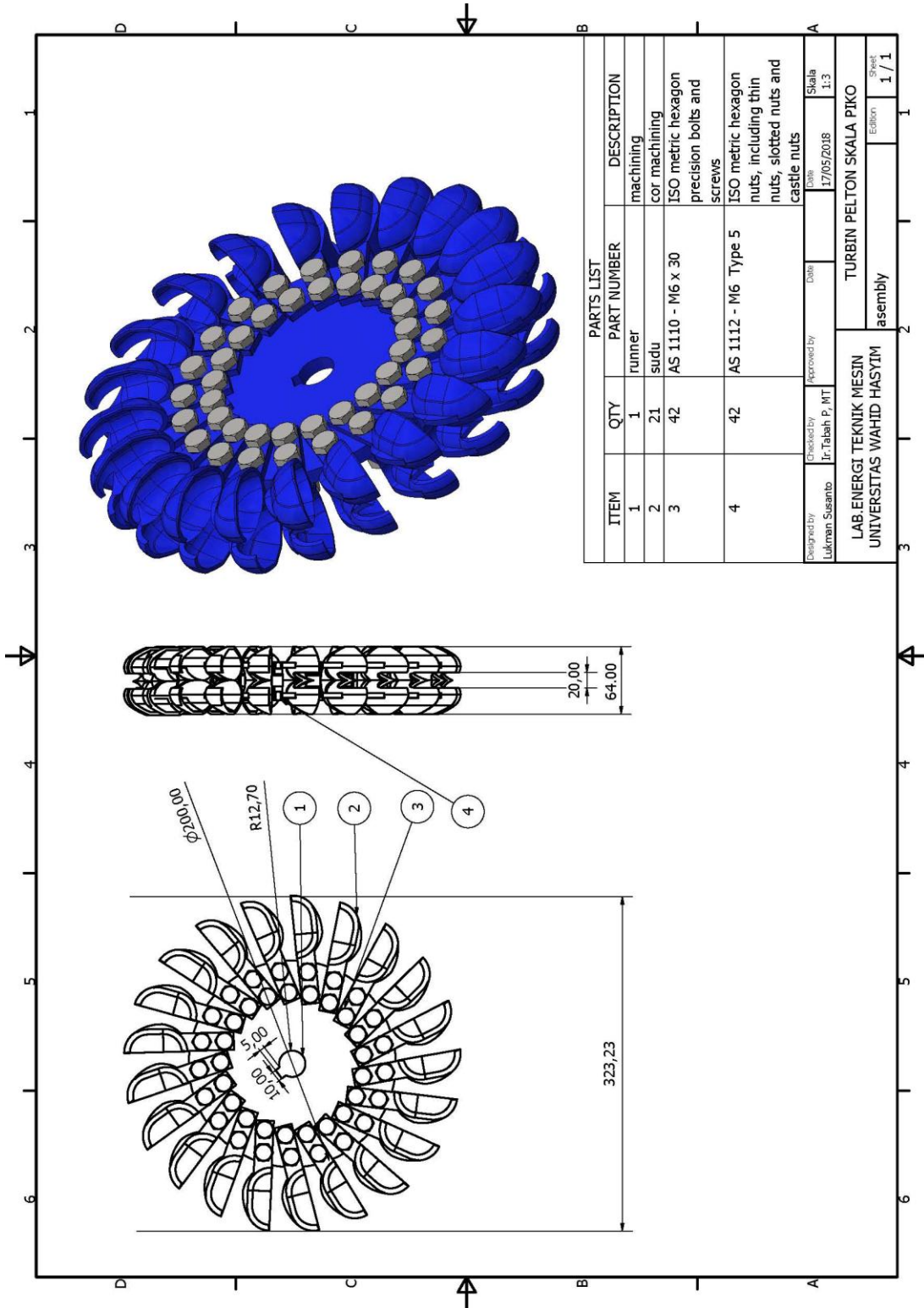


LAMPIRAN









PARTS LIST			
ITEM	QTY	PART NUMBER	DESCRIPTION
1	1	runner	machining
2	21	sudu	cor machining
3	42	AS 1110 - M6 x 30	ISO metric hexagon precision bolts and screws
4	42	AS 1112 - M6 Type 5	ISO metric hexagon nuts, including thin nuts, slotted nuts and castle nuts

Designed by Lukman Susanto	Checked by Ir. Tabah P. MT	Approved by	Date	Scale
			17/05/2018	1:3

LAB. ENERGI TEKNIK MESIN UNIVERSITAS WAHID HASYIM		TURBIN PELTON SKALA PIKO	
		assembly	
		Sheet 1 / 1	